

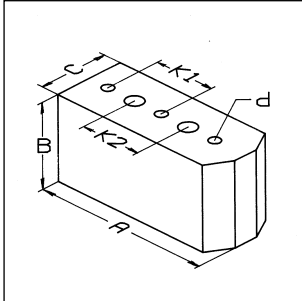


THAME
ENGINEERING

DOWEL SOFT TOP JAWS

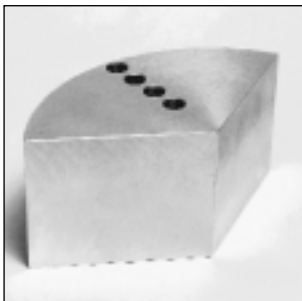
TO SUIT HIGH PRECISION PNEUMATIC CHUCKS

- Material : Steel : 080M15
Aluminium : HE30TF



THAME PART No.	A	B	C	K ¹	K ²	d	NUMBER OF DOWEL HOLES	NUMBER OF BOLT HOLES	WEIGHT KG/SET	MIGAT -PML	MICRO CENTRIC	RÖHM
DW 08 STEEL	38.5	40	19		12.7	3.2	2	1	0.6	80ø 80/3-027	80ø 3-50 3-50HS 34-50	80ø KFW 75
DY 08 ALUMINIUM	38.5	40	19						0.25			
DW 10 STEEL	48	25	19	12.7	12.7	3.2	3	2	0.5	100ø 4/3-027 4/3-C-027	100ø 4-40 4-120	102ø KFW 100
DY 10 ALUMINIUM	48	25	19						0.2	4/3T-027 4/3-048	4-360 4-500	127ø KFW 125
DX 10 STEEL	48	40	19						0.8	4/3-100 4/3-C-100	4-40HS 4-120HS	
DZ 10 ALUMINIUM	48	40	19						0.3		45-120 45-360	
DW 15 STEEL	74	35	25	12.7	12.7	3.2	3	4	1.3	150ø 6/3-027 6/3-C-027	150ø 6-40 6-120	150ø KFW 150
DY 15 ALUMINIUM	74	35	25						0.5	6/3-048 6/3-C-048	6-360 6-40HS	
DX 15 STEEL	74	50	25						1.8	6/3-100 6/3-C-100	6-120HS 67-120	
DZ 15 ALUMINIUM	74	50	25						0.6	TD 150/3-100 TH 150/3-100KL	67-360	
DW 18 STEEL	87	50	25	19.05	19.05	4.77	3	2	2.2	178ø 7/3-100	178ø 7-120	178ø KFW 175
DY 18 ALUMINIUM	87	50	25						0.8			
DW 20 STEEL	94	50	38	31.75	31.75	6.37	3	2	3.8		203ø 8-120 8-380	203ø KFW 200
DY 20 ALUMINIUM	94	50	38						1.4		8-120HS	
DX 20 STEEL	94	76	38						5.7			
DZ 20 ALUMINIUM	94	76	38						1.9			

Also available now for Northfield high precision pneumatic chucks.
Call us on 01844 208050 for details.



Pie type jaws in steel or aluminium are available on request.