

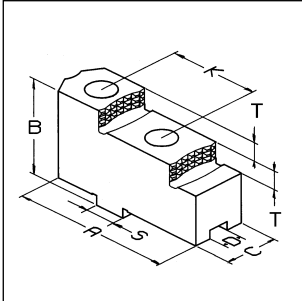


**THAME**  
ENGINEERING

# SLOT/TENON HARD TOP JAWS

## HARD REVERSIBLE JAWS FOR QUICK JAW CHANGE CHUCKS

- Material : Steel : 590M17



THAME PART No.	A	B	C	D	K	S	T	BOLT TYPE	WEIGHT Kg/Set
<b>GX 16</b>	63	36.5	20	8	32	18	7.5	M8	0.6
<b>GX 20</b>	72	42	22	10	40	20	10	M8	0.8
<b>GX 25</b>	90	55	30	12	40	20	14	M12	1.9
<b>GX 32</b>	105	62	36	12	54	26	15	M12	3.2
<b>GX 40</b>	130	80	45	18	60	30	20	M16	10.8



**THAME**  
ENGINEERING

# To Suit Berg, Forkardt, Gamet, Kitagawa, Reishauer, Röhm, Schunk & SMW-Autoblok Quick Jaw Change Chucks

BERG	FORKARDT	GAMET	KITAGAWA	REISHAUER	RÖHM	SCHUNK	SMW-AUTOBLOK
KHNC 160 KHNC 185	F 160 KTNC 160 KTNCV 175 KTNCV 160 FNC 175	MX 152 MX 175		RHU 160	DURO 160 DURO NC 160 DURO NCE 160 DURO NC 175	THW 165-37-R ROTA-S 160 ROTA-S plus 160 ROTA-G 160 ROTA NC-W 185	RMG 160 HG-F 160 HG 160 HG-N 160 KNSP 160 KNCS 160 KNCS 175 KNC 160 KNCS 170-43 KNCS-N 170-43
KHNC 200	F 200 KTNC 200 KTNCV 200 FNC 200	MX 215	QJ 8	RHU 200	DURO 200 DURO NC 200 DURO NCE 200 DURO NC 225	THW 210-F THW 210-R ROTA-S 200 ROTA-S plus 200 ROTA-G 200 ROTA NC-W 225 ROTA NC-WF 210	RMG 200 HG-F 160 HG 200 HG-N 210 KNSP 200 KNCS 200 KNCS 225 KNCS 210-52 KNCS-N 210-52 KNCS-N 225-65
KHNC 250 KHNC 315	F 250 KTNC 250 KTNC 280 KTNC 315 KTNCV 250 KTNCV 315 UNC 250/315 FNC 250/315	MX 252 MX 315 MX 330	QJ 10 QJ 12	RHU 250	DURO 250 DURO NC 250 DURO NCE 250 DURO NCE 315	THW 250-F THW 250-R THW 265-F THW 265-R THW 315-R ROTA-S 250 ROTA-S plus 250 ROTA-G 250 ROTA-G 315 ROTA NC-WF 250 ROTA NC-W 265 ROTA NC-W 315 ROTA NC-WF 315	RMG 250 KNCS 250 KNCS 260 KNCS 315 KNCS 260-71 KNCS 315-91 KNCS-N 260-72 KNCS-N 315-91 HG 250/315 HG-F 250/315 HG-N 260/315
KHNC 400	F 315 KTNC 360 KTNC 400 KTNCV 400 UNC 400 FNC 400	MX 380		RHU 315	DURO 315 DURO NC 315 DURO NCE 400	THW 400-F THW 315-F THW 400-R ROTA-S 315 ROTA-S plus 315 ROTA-G 400 ROTA NC-W 400	RMG 315 KNCS 400 KNCS 400-120 KNCS-N 400-128 HG 400 KNC 400 HG-N 400
KHNC 500	F 400/500 L UNC 500 KTNC 500 KTNC 630 KTNCV 500 KTNCV 630 FNC 500/630				DURO 400 DURO NC 400 DURO 500 DURO NC 500 DURO NCE 500	THW 500-F THW 500-R THW 630-R ROTA-S 400 ROTA-S plus 400 ROTA-S 500 ROTA-S plus 500	HG 500 HG-F 400/500 HG 630 HG-N 500/630 KNCS 500 KNCS 630 KNCS 500-160 KNCS 630-160 KNCS-N 500-165 KNCS-N 630-165 KNCS 800-160