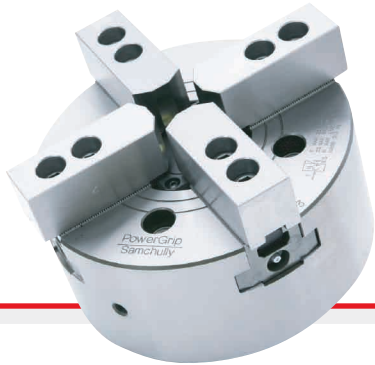
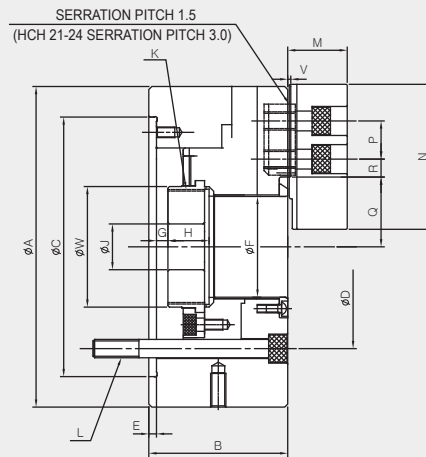
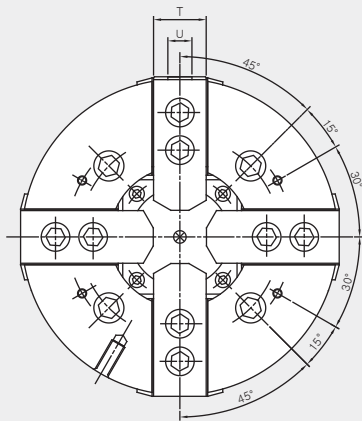


HCHF

4-JAW OPEN-CENTER CHUCK



4-jaw wedge-style open-center chuck



Dimensions

	A	B	C(H6)	D	E	F	Gmax.	Gmin.	H	J	Kmax.	L	M	N	P	Qmax.	Qmin.	Rmax.	Rmin.	T	U	V	W
HCHF-15	381	133	300	235	6	118	11	-12	39	60	M130×2.0	4-M20×150	70	165	43	82	76.7	43.75	18.25	62	22	5	139
HCHF-18	450	133	380	235	6	118	11	-12	39	60	M130×2.0	4-M20×130	70	165	43	82	76.7	78.25	18.25	62	22	5	136
HCHF-21	530	140	380	330.2	6	140	11	-12	39	80	M155×3.0	4-M22(24)×140	72	180	60	98.5	93.2	87.5	21.5	65	25	5	170
HCHF-24	610	149	380	330.2	6	165	20	-3	40	80	M175×3.0	4-M2(24)×150	72	180	60	102.7	108	117.5	21.5	65	25	5	187
HCHF-32	800	150	520	463.6	6	240	34	0	34.5	80	M250×3.0	8-M24×130	83	160	38	162.6	153.6	182	20	75	25.5	3.5	260

※ HCHF-21, HCHF-24 and HCHF-32 are available with M22 or M24 mounting bolts.

Specifications

	Thru Hole Diameter(mm)	Grip Dia. (mm)		Jaw STROKE Diameter. (mm)	PLUNGER STROKE (mm)	Permissible Input Force KN(kgf)	Max. Static Gripping Force KN(kgf)	Max. r.p.m min~(r.p.m)	weight kgf	GD ² N·m ² (kgf·cm ²)	Operating Cylinder	Max. Hydraulic Pressure MPa(kgf/cm ²)	Operating HARD JAW	KITAKAWA Model
		Max.	Min.											
HCHF-15	117.5	381	30	10.6	23	47(4793)	120(12236)	2500	115	87.3(8.90)	SH-25011	1.5(15.3)	HB15A1	-
HCHF-18	117.5	450	30	10.6	23	47(4793)	120(12236)	2000	159	165.8(16.9)	SH-25011	1.5(15.3)	HB15A1	-
HCHF-21	140	530	87	10.6	23	60(6117)	156(15907)	1700	235	351.2(35.8)	SH-25011	1.97(20.1)	HB18B2	-
HCHF-24	165	610	110	10.6	23	60(6117)	156(15907)	1400	293	651.4(66.4)	SH-25011	1.97(20.1)	HB18B2	-
HCHF-32	240	800	160	18	34	60(6795)	156(15821)	11200	530	601(61)	SH-2816	2.2(22.4)	HB32B2	-

※ Maximum Turning Speed is based on actual measurements.

※ Specifications are subject to change without notice.