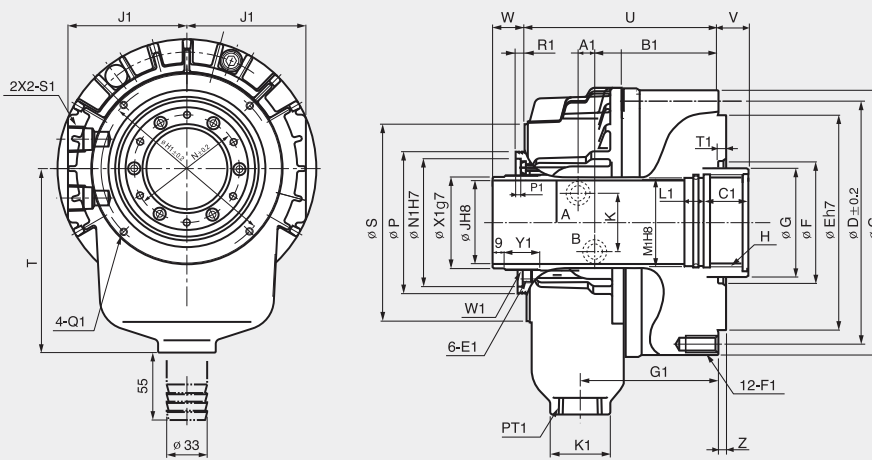


SH

SHORT-BODY OPEN-CENTER HYDRAULIC CYLINDER



Short-body high-speed open-center hydraulic cylinder with built in lock and relief valves



Dimensions

| | C | D | E | F | G | Hmax. | J | K | N | P | S | T | U | Vmax. | Vmin. | Wmax. | Wmin. | Z | A1 | B1 |
|----------|-----|-----|-----|-----|-----|----------|-------|----|-----|-----|-----|-------|-----|-------|-------|-------|-------|---|------|-------|
| SH-13046 | 165 | 130 | 100 | 80 | 65 | M52×2.0 | 46 | 40 | 64 | 85 | 116 | 120 | 142 | 15 | 0 | 40 | 25 | 5 | 8.5 | 103 |
| SH-15052 | 190 | 170 | 130 | 85 | 70 | M60×2.0 | 52 | 40 | 73 | 96 | 135 | 130 | 138 | 22 | 0 | 47 | 25 | 5 | 9.0 | 97.5 |
| SH-17068 | 210 | 190 | 160 | 120 | 85 | M75×2.0 | 68 | 48 | 88 | 111 | 154 | 150 | 155 | 25 | 0 | 50 | 25 | 5 | 10 | 108 |
| SH-18077 | 218 | 190 | 160 | 120 | 95 | M85×2.0 | 77 | 48 | 108 | 121 | 164 | 165 | 167 | 25 | 0 | 50 | 25 | 5 | 10 | 119.5 |
| SH-19082 | 223 | 190 | 160 | 120 | 100 | M90×2.0 | 82 | 58 | 103 | 126 | 175 | 166 | 174 | 25 | 0 | 44 | 19 | 5 | 11.5 | 122 |
| SH-25011 | 310 | 275 | 230 | 166 | 140 | M130×2.0 | 117.5 | 46 | 138 | 170 | 230 | 107.5 | 231 | 18 | -5 | 48 | 25 | 6 | 19 | 150 |

| | C1 | E1 | F1DP' | G1 | H1 | J1 | K1 | L1 | M1 | N1 | P1 | Q1 | R1 | S1 | T1 | W1 | X1 | Y1 |
|----------|----|----|--------|-------|-----|-----|----|----|-----|-----|-----|-------|-----|--------|----|----------|------|----|
| SH-13046 | 30 | M6 | M10×20 | 111 | 98 | 82 | 47 | 15 | 48 | 76 | 4 | M5×6 | 6 | PT 1/2 | 6 | M52×1.5 | 50 | 24 |
| SH-15052 | 30 | M6 | M10×20 | 101 | 110 | 92 | 47 | 15 | 55 | 85 | 4 | M6×7 | 7 | PT 1/2 | 5 | M58×1.5 | 56 | 20 |
| SH-17068 | 35 | M6 | M10×20 | 113 | 145 | 97 | 47 | 15 | 70 | 100 | 4 | M6×10 | 7 | PT 1/2 | 5 | M74×1.5 | 71.5 | 26 |
| SH-18077 | 35 | M6 | M10×20 | 125 | 155 | 102 | 47 | 15 | 80 | 108 | 4 | M6×10 | 7 | PT 1/2 | 5 | M84×2.0 | 81 | 26 |
| SH-19082 | 35 | M6 | M10×20 | 129.5 | 160 | 105 | 47 | 15 | 85 | 11 | 4 | M6×10 | 7 | PT 1/2 | 6 | M89×2.0 | 86 | 26 |
| SH-25011 | 45 | M6 | M16×32 | 163.5 | 206 | 140 | 55 | 20 | 123 | 150 | 5.5 | M6×12 | 7.5 | PT 1/2 | 6 | M124×2.0 | 122 | 29 |

Specifications

| | Available I.D. | Cylinder Diameter(mm) | PISTON STROKE(mm) | Piston force | | Max. Operating Pressure MPa(kgf/cm²) | Max. r.p.m min ⁻¹ (r.p.m) | GD ² N·m²(kgf·m²) | weight kgf | Total Leakage ℓ (min) |
|----------|----------------|-----------------------|-------------------|--------------|--------------|--------------------------------------|--------------------------------------|------------------------------|------------|-----------------------|
| | | | | push KN(kgf) | pull KN(kgf) | | | | | |
| SH-13046 | 46 | 135 | 15 | 42.3(4285) | 38.1(3865) | 4.0(40.8) | 7000 | 0.2(0.021) | 10 | 3.0 |
| SH-15052 | 52 | 156 | 22 | 60(6118) | 56(5710) | 4.0(40.8) | 6200 | 0.44(0.045) | 14 | 3.9 |
| SH-17068 | 68 | 170 | 25 | 63(6531) | 59.8(6060) | 4.0(40.8) | 5600 | 0.65(0.067) | 16.5 | 4.0 |
| SH-18077 | 77 | 185 | 25 | 75.3(7632) | 69.6(7087) | 4.0(40.8) | 5000 | 0.83(0.084) | 18 | 4.2 |
| SH-19082 | 82 | 190 | 25 | 178.1(7924) | 72.5(7350) | 4.0(40.8) | 4800 | 0.95(0.097) | 25 | 4.5 |
| SH-25011 | 117.5 | 255 | 23 | 132(13390) | 121(12305) | 4.0(40.8) | 3000 | 1.9(0.193) | 50 | 7.0 |

※ Specifications are subject to change without notice.