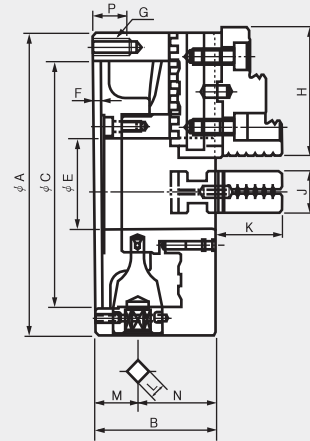
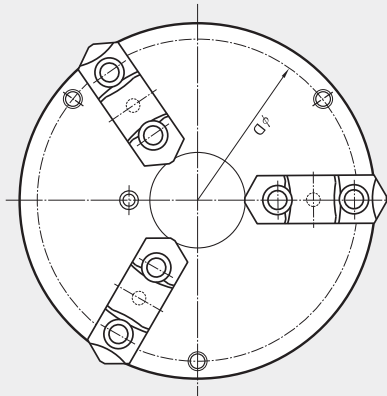


TC

STANDARD SCROLL CHUCK (2-PIECE JAWS)



Standard 2-piece jaw scroll chuck
(incl. soft and hard top jaws)



Dimensions

	A	B	C	D	E	F	G	H	J	K	L	M	N	P	Mounting Bolt
TC-190(7")	192	78.7	155	172	57	5	3-M10	80.5	28	42.8	11	27.5	51.2	20	3-M10
TC-230(9")	232	83.7	190	210	75	6	3-M12	90.5	32	53.8	12	29.5	54.2	25	3-M12
TC-273(10")	273	88	230	250	89	6	3-M12	103.5	35	57.82	12	31.5	56.5	25	3-M12
TC-310(12")	310	96	260	285	100	7	3-M12	115.5	40	56.08	14	31.5	64.5	25	3-M12

Specifications

	Max. Static Gipping dia. KN(kgf)	Max. r.p.m min ⁻¹ (r.p.m)	weight kgf	GD ² N·m ² (kgf·m ²)	(Gripping diameter)		Handle Torque N·m(kgf·m)
					(External) φmm	(Internal) φmm	
TC-190(7")	31 (3161)	3500	12.2	2.35 (0.24)	4~180	56~170	107.9 (11.0)
TC-230(9")	37 (3773)	2900	21.2	6.27 (0.64)	5~220	62~210	147 (15.0)
TC-273(10")	46 (4691)	2500	28	9.90 (1.01)	5~260	70~250	176.5 (18.0)
TC-310(12")	55 (5608)	2200	41	23.0 (2.35)	10~300	86~290	206 (21.0)

* Specifications are subject to change without notice.