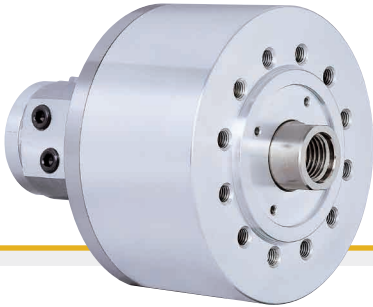
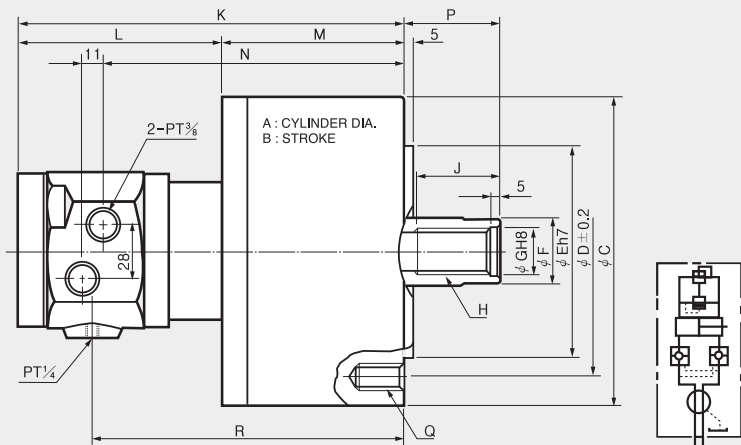
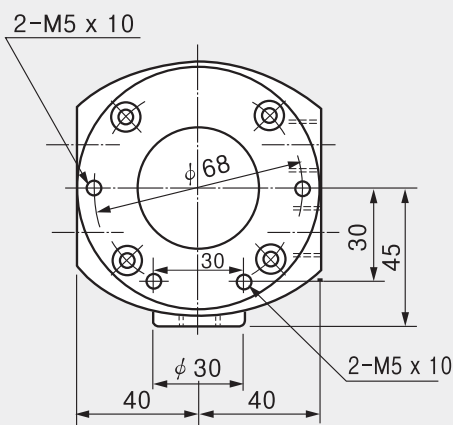


Y-R

CLOSED-CENTER HYDRAULIC CYLINDER



Closed-center hydraulic cylinder
with built in lock and relief valves



Dimensions

	A	B	C	D	E	F	G	Hmax.	J	K	L	M	N	Pmax.	Pmin.	Q	R
Y-0715R	75	15	104	90	65	30	21	M20×2.5	35	172	106	66	127	46	31	6-M6×20	133
Y-1020R	105	20	135	100	80	30	21	M20×2.5	35	197	108	89	152	45	25	6-M10×20	158
Y-1225R	125	25	160	130	110	35	25	M24×3.0	44	205	108	97	160	51	26	6-M12×24	166
Y-1530R	150	30	190	130	110	45	31	M30×3.5	45	214	108	106	169	56	26	12-M12×24	175
Y-2035R	200	35	245	145	120	55	37	M36×4.0	60	228	106	122	183	69	34	12-M16×30	189

Specifications

	PISTON STROKE (mm)	Piston Surface Area		Piston Force		Max. Operating Pressure MPa(kgf/cm ²)	Total Leakage ℓ (min)	Max. r.p.m min ⁻¹ (r.p.m)	weight kgf	GD ² N·m ² (kgf·m ²)	KITAGAWA Model
		push cm ²	pull cm ²	push KN(kgf)	pull KN(kgf)						
Y-0715R	15	44	37	16.6(1693)	13.9(1417)	4.0(40.8)	0.8	6000	4.0	0.118(0.012)	Y-0715R
Y-1020R	20	86	79	2.0(3264)	29(2957)	4.0(40.8)	0.8	6000	7.1	0.49(0.05)	Y-1020R
Y-1225R	25	122	113	46.0(4692)	42(4283)	4.0(40.8)	0.8	6000	10	0.88(0.09)	Y-1225R
Y-1530R	30	176	160	66.0(6732)	60(6118)	4.0(40.8)	0.8	5500	13.5	1.86(0.19)	Y-1530R
Y-2035R	35	314	290	117.0(11934)	108(11013)	4.0(40.8)	0.8	5500	22	3.82(0.39)	Y-2035R

※ Total leakage pressure: 3.0 Mpa (30.6 kgf/cm²) at 50₁/EC. ※ Specifications are subject to change without notice.