

# Multi-Point Rocker Jaws

Multi-Point Rocker Jaws are designed for clamping thin walled workpieces that are often deformed when clamped with conventional width jaws on a power chuck. They lower the deformation of the workpiece by spreading the clamping force equally to six or twelve clamping points on its perimeter. The floating rocker arms allow the part to self centre thus overcoming irregularity in castings and forgings as the part is clamped.



Thame Workholding's standard design of Rocker Jaws covers many applications and each assembly comes complete with a Master Base Jaw, Pivot Bolt, Rocker Arm and Serrated Grip Inserts.

A set of Multi-Point Rocker Jaws will cover a specific range of clamping diameters whilst the depth of grip can be varied by using our standard height pins.

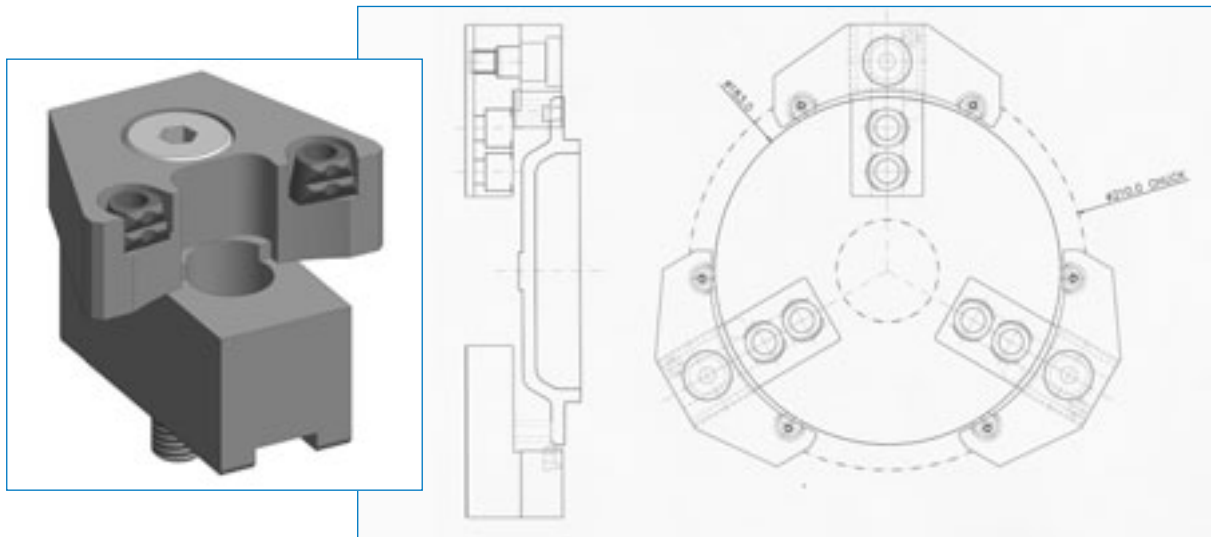
Using Multi-Point Rocker Jaws will assist in obtaining the best possible machined roundness on diameters and bores improving any out round to an acceptable level.

Multi-Point Rocker Jaws can improve deformation from hundreds of microns down to a single figure digit in some cases. Soft inserts or segments can also be used to allow second operation work with the rocking arms fixed.

We manufacture and design Multi-Point Rocker Jaws to suit all types of chucks including large vertical chucks up to 3 metres.

## Standard Design

Available to suit a wide range of chucks contact our sales office for more information.



## Special Design

We will design Multi-Point Rocker Jaws to suit your workpiece they could be six or twelve point contact jaws with all the necessary stops and location needed to clamp your part and reduce the out of roundness to an acceptable level. These are usually first operation jaws but provision for a second operation could also be possible.



## THAME WORKHOLDING

Field End, Thame Road, Long Crendon, Aylesbury, Bucks, HP18 9EJ England  
Telephone: + 44 (0)1844 208050 Fax: + 44 (0)1844 201699  
E-mail: sales@thameworkholding.com Web: www.thameworkholding.com