



In search of perfect roundness
An innovation by HWR!



Innovation





In search of perfect roundness ...

InoZet[®] offers maximum flexibility, significant cost advantages and outstanding turning results thanks to its technical superiority.

Put *InoZet*[®] to the test!

Innovation

Unmachined part

Pendulum movement of 10°

InoZet[®] pendulum bridge

Body of the chuck

Standard jaw

Chuck with *InoZet*[®] pendulum bridges

... with *InoZet*[®] pendulum bridges

from the normal 3-jaw chuck to the highly flexible, compensating 6-jaw chuck!
Conventional pendulum jaws are ...

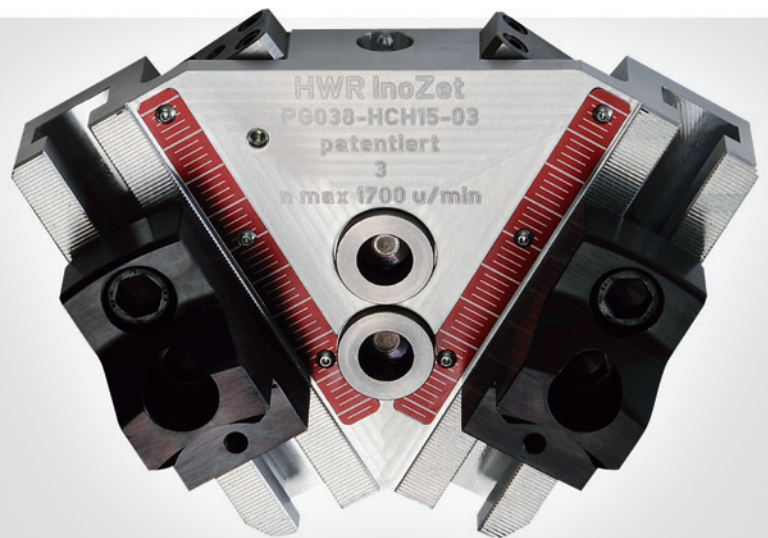
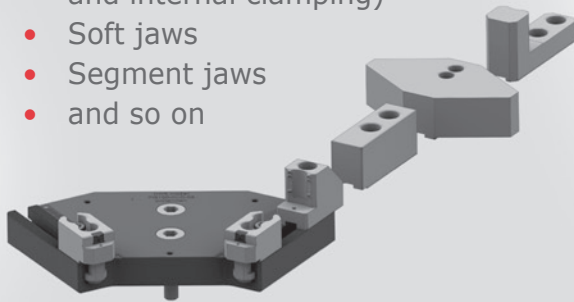
- **zu too inflexible,**
- **too elaborate,**
- **too expensive for you?**

Then you need *InoZet*[®] – the new clamping solution by HWR!

With *InoZet*[®] you can make your existing 3-jaw chuck into a highly flexible, compensating 6-jaw chuck in no time at all. Thanks to the variable positioning of the clamping jaws on the pendulum segments, you can cover the entire clamping range with one set of standard clamping jaws, so that you have maximum flexibility. Now you need neither countless pendulum clamping jaws nor any special constructions - which leads to enormous cost savings. Handling is really easy, and conversion can be done in a flash.

InoZet[®] is compatible with

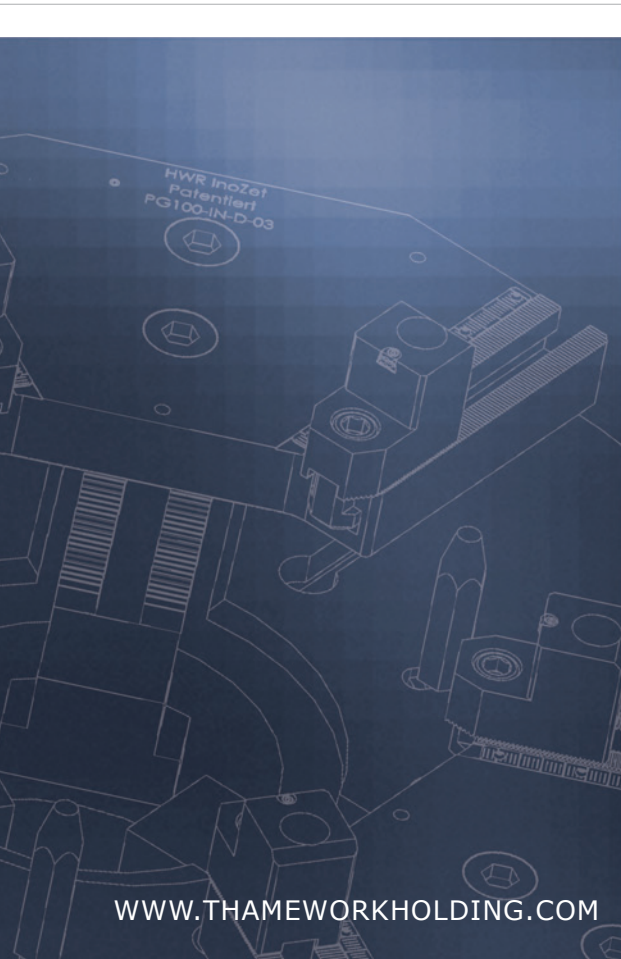
- inogrip[®] jaws
- Gripper jaws (external and internal clamping)
- Soft jaws
- Segment jaws
- and so on



InoZet[®] – the advantages:

- Your 3-jaw chuck becomes a compensating 6-jaw chuck
- One set of standard clamping jaws covers the entire clamping range of the chuck
- Designed for internal and external clamping
- Ideal for processing deformation-sensitive components as well as out-of-round blanks and components deformed by heat treatment
- Can be retrofitted for all chuck sizes from diameters of 250 mm
- The pendulum mechanism is protected from contamination
- Huge cost savings by dispensing with expensive special clamping jaws
- Ideal true running properties

Innovative clamping solutions from a single source



WWW.THAMEWORKHOLDING.COM

Clamping in turning operations, by Thame

- inogrip®
- InoZet®
- Samchully chucks
- Standard clamping jaws
- Special clamping jaws

Clamping in milling operations, by Lang

- Makro-Grip
- Präge-Fix
- Quick-Point

Automation solutions incl. clamping technology, by Lang

- Eco-Tower and Handling
- Eco-Compact

HWR Spanntechnik GmbH
Lübke mannstraße 13
D-28876 Oyten
Tel. +49 (0) 4207 6887-0
Fax +49 (0) 4207 6887-15
info@hwr-spanntechnik.de



SPANNTECHNIK

PRECISION IN PERFECTION.

Your contact in UK:



Thame Workholding
Field End
Thame Road
Long Crendon
Aylesbury
Bucks
HP18 9EJ
United Kingdom
Tel. +44 (0) 1844 208050
Fax.+44 (0) 1844 201699
sales@thameworkholding.com