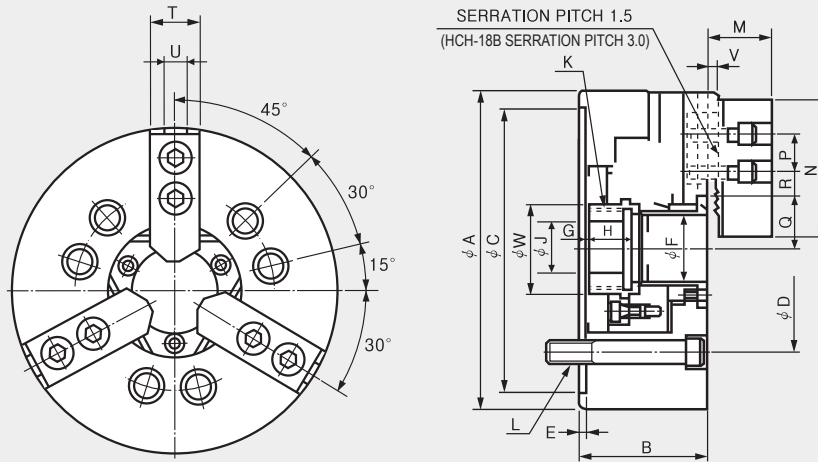


MH

MEGA BORE 3-JAW HIGH-SPEED OPEN-CENTER CHUCK



Mega-bore 3-jaw wedge-type open-center power chuck



Dimensions

	A	B	C(H6)	D	E	F	Gmax.	Gmin.	H	J	Kmax.	L	M	N	P	Qmax.	Qmin.	Rmax.	Rmin.	T	U	V	W
MH-206	175	81	140	104.8	5	52	14	-1	17.5	20	M60×2.0	3-M10×95	33	72	20	38	34.8	21.75	10.25	31	12	2	65
MH-208	210	91	170	133.4	5	66	7.5	-10	27	30	M75×2.0	6-M12×115	39	95	25	45.7	42	23.75	11.75	35	14	2	80
MH-210	254	100	220	171.4	5	82	8.5	-11	25	52	M90×2.0	6-M16×120	43	110	30	54.5	50.1	32.25	14.25	40	16	2	101
MH-212	315	110	300	235	6	103	8	-15	28	66	M112×2.0	6-M20×130	51	111	30	67.3	62	45.75	15.75	49	21	2	124
MH-218	457	135	380	300	6	166.5	8	-17	50	107	M175×3.0	6-3/4"	69	165	50	102	96.25	58.25	20.25	69	22	5	186
MH-221	530	140	380	330	6	166.5	11	-12	39	80	M180×3.0	6-M22×140	73	180	60	111.75	106.5	72.5	21.5	65	25	5	197

※ Blank and machined draw-nuts are available.

Specifications

	Thru Hole Diameter.(mm)	Grip Dia. (mm) Max. Min.	Jaw STROKE Diameter. (mm)	PLUNGER STROKE (mm)	Permissible Input Force KN(kgf)	Max. Static Gripping Force KN(kgf)	Max. r.p.m min~(r.p.m)	weight kgf	GD ² N·m ² (kgf·m ²)	Operating Cylinder	Max. Hydraulic Pressure MPa(kgf/cm ²)	Operating HARD JAW	KITAKAWA Model
MH-206	52	175 16.5	6.4	15	24.7(2551)	57.3(5812)	6000	11.9	2.26(0.23)	SH-15052 (SYH-1552)	1.78(18.1)	HB06A1	-
MH-208	66	210 23	7.4	17.5	36.4(3596)	87(8872)	5000	23	5.6(0.57)	SH-17068 (SYH-1768)	2.34(23.9)	HB08A1	-
MH-210	82	254 30	8.8	19	49(4976)	126.6(12848)	4500	32	1.26(0.13)	SH-19082 (SYH-2091)	2.74(28)	HB10A1	-
MH-212	103	315 54	10.6	23	55(5608)	144(14686)	3000	55.3	28.93(2.95)	SH-25011	1.85(19.0)	HB12N1	-
MH-218	166.5	457 73	11.5	25	71(7240)	180(18355)	2000	170	174.6(17.8)	SYHL-2816	2.3(24)	HB15A2	-
MH-221	166.5	530 105	10.6	23	90(9177)	220(22460)	1700	228	342.1(34.7)	SYHL-2816	2.86(29.1)	HB18B2	-

※ Maximum turning speed is based on actual measurements.

※ Specifications are subject to change without notice.