

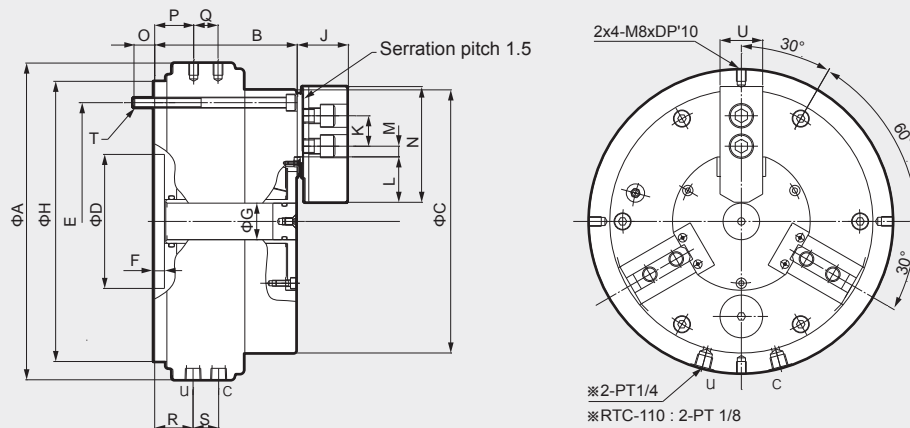
RTC

Rotary Table Chuck

- Self-Contained Cylinder Chuck for Compact Installation Area
- Compatible with NC Rotary Table
- Built-in Lock Valve



PNEUMATIC CHUCK



It is recommended to grease chucks at least twice a day in order to maximize longevity.

Dimensions

| | ΦA | B | ΦC | ΦD | E | F | ΦG | ΦH | J | K | Lmax. | Lmin. | Mmax. | Mmin. | N | O | P | Q | R | S | T | U |
|---------|-----|-----|-----|-----|-----|---|----|-----|----|----|-------|-------|-------|-------|-----|----|------|------|------|------|----------|----|
| RTC-110 | 145 | 92 | 113 | 80 | 98 | 6 | 8 | 124 | 27 | 14 | 32.8 | 30.2 | 5.4 | 2.4 | 55 | 11 | 25.5 | 12.2 | 25.5 | 12.2 | M6x95L | 23 |
| RTC-160 | 210 | 102 | 166 | 80 | 148 | 7 | 20 | 175 | 36 | 20 | 41.9 | 39.3 | 9.25 | 4.75 | 72 | 15 | 31 | 18 | 32.3 | 15.2 | M8x105L | 31 |
| RTC-210 | 260 | 117 | 216 | 110 | 195 | 8 | 30 | 230 | 42 | 25 | 53 | 49.85 | 14.75 | 8.75 | 95 | 17 | 32 | 20 | 31.5 | 21 | M8x125L | 35 |
| RTC-260 | 304 | 125 | 264 | 140 | 234 | 8 | 43 | 268 | 46 | 30 | 66 | 62.85 | 16 | 8.5 | 110 | 16 | 39.5 | 21 | 39.5 | 21 | M10x130L | 40 |

Specifications

| Type | Thru Hole Dia. | Jaw Stroke Dia. | Plunger Stroke | Max. Static Gripping Force | Max. Pneumatic Pressure | Max. R.P.M. | Weight (included Soft Jaws) | GD ² |
|---------|----------------|-----------------|----------------|----------------------------|-----------------------------|-----------------|-----------------------------|--|
| | [mm] | [mm] | [mm] | [kN(kgf)] | [Mpa(kgf/cm ²)] | [min-1(r.p.m.)] | [Kgf] | [N·m ² (kgf·m ²)] |
| RTC-110 | 8 | 5.2 | 11.3 | 7.5 | 0.7 (7) | 100 | 7.3 | - |
| RTC-160 | 20 | 5.2 | 11.5 | 21 | 0.7 (7) | 72 | 22 | - |
| RTC-210 | 30 | 6.3 | 13.7 | 33 | 0.7 (7) | 50 | 27.7 | - |
| RTC-260 | 43 | 6.3 | 13.6 | 48 | 0.7 (7) | 50 | 42.5 | - |