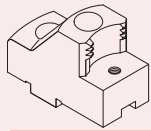


Slot/Tenon Hard Top Jaws

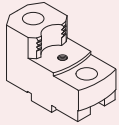
Page



Adjustagrip Hard Jaws

- External clamping
- For quick change jaw chucks

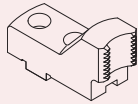
114 - 123



Adjustagrip Hard Jaws

- Internal clamping
- For quick change jaw chucks

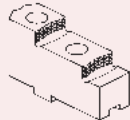
114 - 123



Adjustagrip Hard Jaws

- Bar clamping
- For quick change jaw chucks

114 - 123



Hard Reversible Jaws

- For quick change jaw chucks

124 - 125

	Adjustagrip Jaw External Clamping	Adjustagrip Jaw Internal Clamping	Adjustagrip Jaw Bar Clamping	Hard Reversible Jaw
	Page	Page	Page	Page
BERG	114	114	114	124-125
FORKARDT	115	115	115	124-125
GAMET				124-125
KITAGAWA				124-125
RÖHM	116	116	116	124-125
SAMCHULLY	117	117	117	124-125
SCHUNK	118-120	118-120	118-120	124-125
SMW-AUTOBLOK	121-123	121-123	121-123	124-125

THAME WORKHOLDING

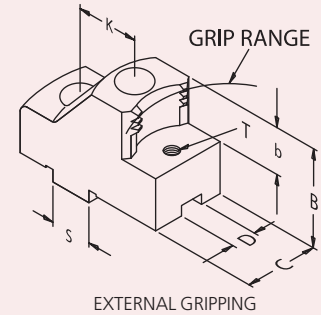
Field End, Thame Road, Long Crendon, Aylesbury, Bucks, HP18 9EJ England
 Telephone: + 44 (0)1844 208050 Fax: + 44 (0)1844 201699
 E-mail: sales@thameworkholding.com Web: www.thameworkholding.com

Adjustagrip Hard Top Jaws

For Slot/Tenon Quick Jaw Change Chucks

Material:

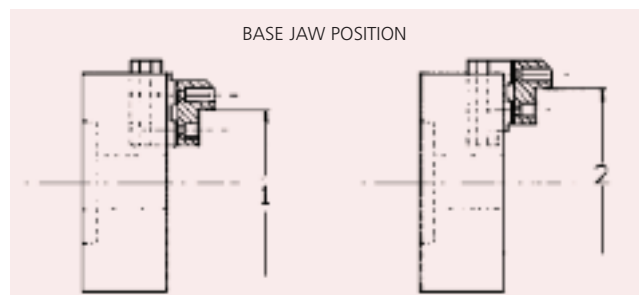
- Steel, 590M17
- Black Finish



To suit • Berg Chuck Series KHNC

CHUCK Ø	TYPE	GRIPPING RANGES	BASE JAW POS.	MAX Ø SWING	THAME PART No.	B	C	D	K	S	b	T	WEIGHT Kg/Set
160	KHNC 160	27 - 62	1	212	LY 10	49	30	8	32	18	20	M6	1.3
		47 - 90	2	241									1.1
		81 - 125	1	212	LY 14								1.1
		110 - 154	2	241									1.4
		124 - 168	1	212	LY 17								1.4
200	KHNC 200	27 - 65	1	250	LY 20	49	30	10	40	20	20	M6	1.3
		65 - 118	2	303									1.2
		46 - 97	1	250	LY 22								1.2
		97 - 150	2	303									1.2
		81 - 133	1	250	LY 25								1.2
250	KHNC 250	33 - 100	1	320	LY 30	59	40	12	40	20	25	M6	2.4
		93 - 172	2	392									2.3
		60 - 137	1	320	LY 32								2.3
		130 - 209	2	392									2.0
		111 - 190	1	320	LY 35								2.0
315	KHNC 315	33 - 172	1	392	LY 30	59	40	12	40	20	25	M6	2.4
		93 - 243	2	404									2.3
		61 - 209	1	392	LY 32								2.3
		130 - 281	2	404									2.0
		112 - 263	1	392	LY 35								2.0
400	KHNC 400	51 - 215	1	469	LY 40	59	50	12	54	26	25	M8	4.0
		102 - 290	2	545									3.2
		152 - 342	1	469	LY 43								3.2
		227 - 417	2	545									

BASE JAW POSITION



Workpiece Height Pins

See page 165



THAME WORKHOLDING

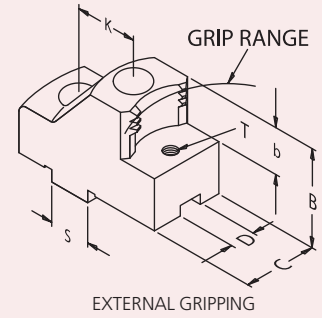
Field End, Thame Road, Long Crendon, Aylesbury, Bucks, HP18 9EJ England
 Telephone: + 44 (0)1844 208050 Fax: + 44 (0)1844 201699
 E-mail: sales@thameworkholding.com Web: www.thameworkholding.com

Adjustagrip Hard Top Jaws

For Slot/Tenon Quick Jaw Change Chucks

Material:

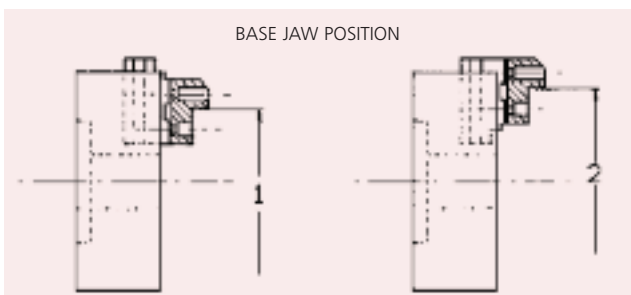
- Steel, 590M17
- Black Finish



To suit • Forkardt Chuck Series FNC

CHUCK Ø	TYPE	GRIPPING RANGES	BASE JAW POS.	MAX Ø SWING	THAME PART No.	B	C	D	K	S	b	T	WEIGHT Kg/Set	
175	FNC 175	28 - 70	1	220	LY 10	49	30	8	32	18	20	M6	1.3	
		60 - 105	2	221										
		88 - 134	1	220	LY 14									
		124 - 169	2	221										
		131 - 177	1	220	LY 17									
		167 - 213	2	251										
200	FNC 200	27 - 31	1	262	LY 20	49	30	10	40	20	20	M6	1.3	
		60 - 125	2	262										
		46 - 52	1	262	LY 22									
		92 - 157	2	262										
		81 - 146	1	262	LY 25									
		128 - 193	2	262										
250	FNC 250	33 - 112	1	332	LY 30	59	40	12	40	20	25	M6	2.4	
		92 - 183	2	332										
		59 - 149	1	332	LY 32									
		129 - 221	2	332										
		111 - 202	1	332	LY 35									
		182 - 274	2	332										
315	FNC 315	36 - 147	1	368	LY 30	59	40	12	40	20	25	M6	2.4	
		92 - 219	2	368										
		59 - 185	1	368	LY 32									
		129 - 257	2	368										
		111 - 238	1	368	LY 35									
		182 - 310	2	368										
400	FNC 400	51 - 179	1	433	LY 40	59	50	12	54	26	25	M8	4.0	
		107 - 256	2	436										
		156 - 305	1	433	LY 43									
		233 - 383	2	436										

Slot/Tenon Hard Top Jaws



Workpiece Height Pins



See page 165

Internal and bar gripping jaws available on request.

THAME WORKHOLDING

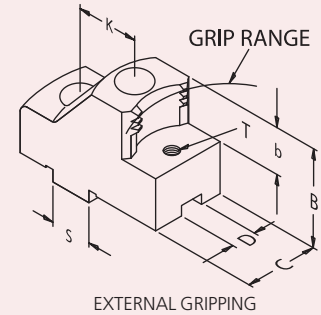
Field End, Thame Road, Long Crendon, Aylesbury, Bucks, HP18 9EJ England
 Telephone: + 44 (0)1844 208050 Fax: + 44 (0)1844 201699
 E-mail: sales@thameworkholding.com Web: www.thameworkholding.com

Adjustagrip Hard Top Jaws

For Slot/Tenon Quick Jaw Change Chucks

Material:

- Steel, 590M17
- Black Finish



To suit • Röhm Chuck Series Duro-NC

CHUCK Ø	TYPE	GRIPPING RANGES	BASE JAW POS.	MAX Ø SWING	THAME PART No.	B	C	D	K	S	b	T	WEIGHT Kg/Set	
160	DURO-NC 160	27 - 59	1	209	LY 10	49	30	8	32	18	20	M6	1.3	
		51 - 95	2	211										
		78 - 123	1	209	LY 14									
		114 - 159	2	211										
		121 - 166	1	209	LY 17									
		157 - 202	2	241									1.4	
175	DURO-NC 175	30 - 72	1	223	LY 10	49	30	8	32	18	20	M6	1.3	
		65 - 109	2	226										
		91 - 136	1	223	LY 14									
		128 - 174	2	226										
		134 - 179	1	223	LY 17									
		172 - 217	2	255									1.4	
200	DURO-NC 200	30 - 72	1	263	LY 20	49	30	10	40	20	20	M6	1.3	
		65 - 109	2	279										
		91 - 136	1	263	LY 22									
		128 - 174	2	279										
		134 - 179	1	263	LY 25									
		172 - 217	2	279									1.2	
250	DURO-NC 250	33 - 113	1	332	LY 30	59	40	12	40	20	25	M6	2.4	
		92 - 196	2	340										
		55 - 150	1	332	LY 32									
		129 - 233	2	340										
		106 - 203	1	332	LY 35									
		182 - 287	2	340									2.0	
315	DURO-NC 315	51 - 146	1	400	LY 40	59	50	12	54	26	25	M8	4.0	
		96 - 230	2	410										
		152 - 273	1	400	LY 43									
		221 - 357	2	410									3.2	
400	DURO-NC 400	74 - 221	1	528	LY 50	78	50	18	60	30	33	M8	5.6	
		101 - 280	2	588										
		160 - 340	1	528	LY 55									
		208 - 389	2	588										

Internal and bar gripping jaws available on request.

THAME WORKHOLDING

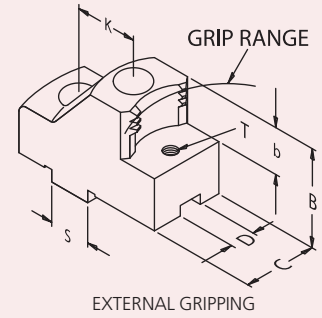
Field End, Thame Road, Long Crendon, Aylesbury, Bucks, HP18 9EJ England
 Telephone: + 44 (0)1844 208050 Fax: + 44 (0)1844 201699
 E-mail: sales@thameworkholding.com Web: www.thameworkholding.com

Adjustagrip Hard Top Jaws

For Slot/Tenon Quick Jaw Change Chucks

Material:

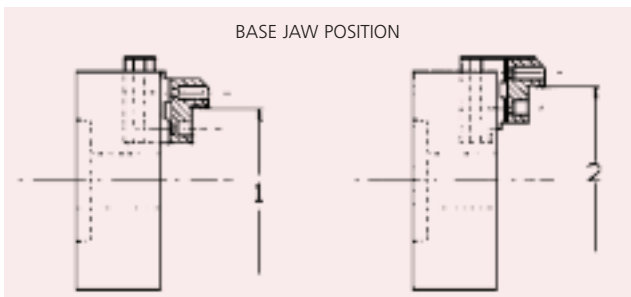
- Steel, 590M17
- Black Finish



To suit • Samchully Chuck Series QJC

CHUCK Ø	TYPE	GRIPPING RANGES	BASE JAW POS.	MAX Ø SWING	THAME PART No.	B	C	D	K	S	b	T	WEIGHT Kg/Set
165	QJC-206	44 - 76	1	209	LY 10	49	30	8	32	18	20	M6	1.3
		61 - 99	2	210	LY 13								
		76 - 109	1	209									
		93 - 127	2	209									
		106 - 140	1	209	LY 14								
		124 - 158	2	209									
215	QJC-208	39 - 110	1	285	LY 20	49	30	10	40	20	20	M6	1.3
		75 - 147	2	285									
		101 - 174	1	285	LY 24								
		131 - 211	2	285									
260	QJC-210	63 - 124	1	332	LY 30	59	40	12	40	20	25	M6	2.4
		125 - 188	2	332									
		152 - 215	1	332	LY 35								
		216 - 279	2	332									
315	QJC-212	67 - 150	1	380	LY 30	59	40	12	40	20	25	M6	2.4
		151 - 235	2	380									
		156 - 241	1	380	LY 35								
		242 - 327	2	380									
400	QJC-215	78 - 193	1	447	LY 40	59	40	12	54	26	25	M8	4.0
		153 - 270	2	450									
		202 - 320	1	447	LY 43								
		279 - 397	2	450									

Slot/Tenon Hard Top Jaws



Workpiece Height Pins



Internal and bar gripping jaws and different diameter ranges available on request.

THAME WORKHOLDING

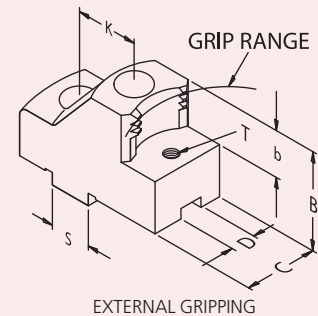
Field End, Thame Road, Long Crendon, Aylesbury, Bucks, HP18 9EJ England
 Telephone: + 44 (0)1844 208050 Fax: + 44 (0)1844 201699
 E-mail: sales@thameworkholding.com Web: www.thameworkholding.com

Adjustagrip Hard Top Jaws

For Slot/Tenon Quick Jaw Change Chucks

Material:

- Steel, 590M17
- Black Finish



To suit • Schunk Chuck Series Rota THW

CHUCK Ø	TYPE	GRIPPING RANGES	BASE JAW POS.	MAX Ø SWING	THAME PART No.	B	C	D	K	S	b	T	WEIGHT Kg/Set
165	THW 165	29 - 50	1	182	LY 10	49	30	8	32	18	20	M6	1.3
		37 - 67	2	200									
		51 - 82	1	182	LY 13								1.2
		68 - 100	2	200									
		81 - 113	1	182	LY 14								1.1
		98 - 131	2	200									
210	THW 210	27 - 73	1	247	LY 20	49	30	10	40	20	20	M6	1.3
		58 - 110	2	285									
		53 - 105	1	247	LY 22								1.2
		90 - 142	2	285									
		88 - 141	1	247	LY 25								1.2
		126 - 179	2	285									
250	THW 250	33 - 88	1	296	LY 30	59	40	12	40	20	25	M6	2.4
		91 - 151	2	360									
		66 - 126	1	296	LY 32								2.3
		128 - 189	2	360									
		117 - 178	1	296	LY 35								2.0
		181 - 242	2	360									
265	THW 265	33 - 99	1	307	LY 30	59	40	12	40	20	25	M6	2.4
		91 - 162	2	371									
		66 - 136	1	307	LY 32								2.3
		128 - 200	2	371									
		117 - 189	1	307	LY 35								2.0
		181 - 253	2	371									
315	THW 315	36 - 115	1	345	LY 30	59	40	12	40	20	25	M6	2.4
		119 - 202	2	433									
		71 - 152	1	345	LY 32								2.3
		157 - 240	2	433									
		122 - 205	1	345	LY 35								2.0
		210 - 293	2	433									
400	THW 400	55 - 166	1	420	LY 40	59	50	12	54	26	25	M8	4.0
		117 - 243	2	498									
		166 - 292	1	420	LY 43								3.2
		243 - 370	2	498									

Internal and bar gripping jaws available on request.

THAME WORKHOLDING

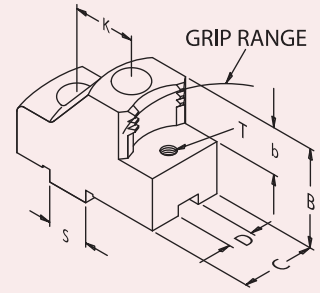
Field End, Thame Road, Long Crendon, Aylesbury, Bucks, HP18 9EJ England
 Telephone: + 44 (0)1844 208050 Fax: + 44 (0)1844 201699
 E-mail: sales@thameworkholding.com Web: www.thameworkholding.com

Adjustagrip Hard Top Jaws

For Slot/Tenon Quick Jaw Change Chucks

Material:

- Steel, 590M17
- Black Finish

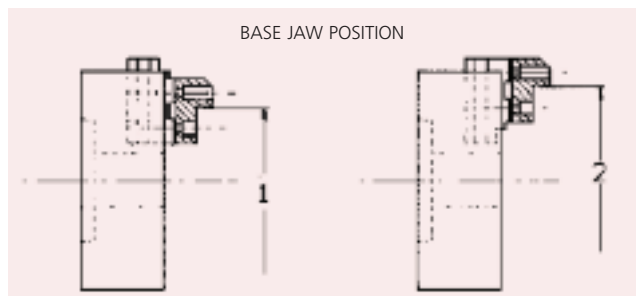


EXTERNAL GRIPPING

To suit • Schunk Chuck Series Rota G

CHUCK Ø	TYPE	GRIPPING RANGES	BASE JAW POS.	MAX Ø SWING	THAME PART No.	B	C	D	K	S	b	T	WEIGHT Kg/Set	
160	ROTA G 160	27 - 73	1	190	LY 10	49	30	8	32	18	20	M6	1.3	
		40 - 91	2	242										
		84 - 137	1	190	LY 14									
		102 - 155	2	242										
		127 - 180	1	219	LY 17									
		145 - 198	2	242									1.4	
200	ROTA G 200	30 - 100	1	236	LY 20	49	30	10	40	20	20	M6	1.3	
		66 - 137	2	322										
		61 - 132	1	236	LY 22									
		97 - 169	2	322										
		134 - 206	2	322	LY 25								1.2	
250	ROTA G 250	33 - 121	1	264	LY 30	59	40	12	40	20	25	M6	2.4	
		90 - 184	2	404										
		65 - 158	1	266	LY 31									
		127 - 221	2	404										
		117 - 211	1	264	LY 35									
		180 - 274	2	404									2.0	
315	ROTA G 315	52 - 131	1	315	LY 40	59	50	12	54	26	25	M8	4.0	
		100 - 216	2	455										
		152 - 257	1	315	LY 43									
		225 - 343	2	455									3.2	
400	ROTA G 400	68 - 186	1	400	LY 40	59	50	12	54	26	25	M8	4.0	
		142 - 263	2	519										
		192 - 313	1	400	LY43									
		269 - 391	2	519									3.2	

Slot/Tenon Hard Top Jaws



Workpiece Height Pins



See page 165

Internal and bar gripping jaws available on request.

THAME WORKHOLDING

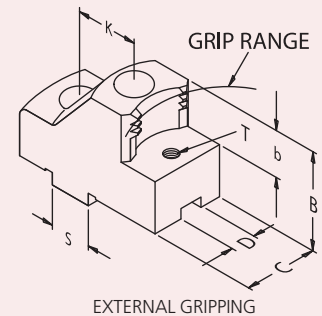
Field End, Thame Road, Long Crendon, Aylesbury, Bucks, HP18 9EJ England
 Telephone: + 44 (0)1844 208050 Fax: + 44 (0)1844 201699
 E-mail: sales@thameworkholding.com Web: www.thameworkholding.com

Adjustagrip Hard Top Jaws

For Slot/Tenon Quick Jaw Change Chucks

Material:

- Steel, 590M17
- Black Finish



To suit • Schunk Chuck Series Rota S

CHUCK Ø	TYPE	GRIPPING RANGES	BASE JAW POS.	MAX Ø SWING	THAME PART No.	B	C	D	K	S	b	T	WEIGHT Kg/Set		
160	ROTA S 160	27 - 29	1	180	LY 10	49	30	8	32	18	20	M6	1.3		
		46 - 98	2	250											
		73 - 127	1	180	LY 14										1.1
		109 - 163	2	250											
		116 - 170	1	209	LY 17										1.4
		152 - 206	2	250											
200	ROTA S 200	28 - 80	1	216	LY 20	49	30	10	40	20	20	M6	1.3		
		64 - 127	2	312											
		49 - 112	1	216	LY 22										1.2
		96 - 159	2	312											
		84 - 148	1	216	LY 25										1.2
		132 - 196	2	312											
250	ROTA S 250	33 - 101	1	250	LY 30	59	40	12	40	20	25	M6	2.4		
		97 - 176	2	396											
		61 - 138	1	250	LY 32										2.3
		135 - 213	2	396											
		112 - 191	1	250	LY 35										2.0
		187 - 267	2	396											
315	ROTA S 315	54 - 142	1	322	LY 40	59	50	12	54	26	25	M8	4.0		
		100 - 219	2	458											
		152 - 269	1	322	LY 43										3.2
		225 - 347	2	458											
400	ROTA S 400	74 - 195	1	499	LY 50	78	50	18	60	30	33	M8	5.6		
		167 - 314	2	505											
		168 - 314	1	499	LY 55										5.1
		286 - 433	2	515											
500	ROTA S 500	89 - 266	1	588	LY 50	78	50	18	60	30	33	M8	5.6		
		198 - 396	2	588											
		205 - 402	1	588	LY 55										5.1
		317 - 515	2	597											

Internal and bar gripping jaws available on request.

THAME WORKHOLDING

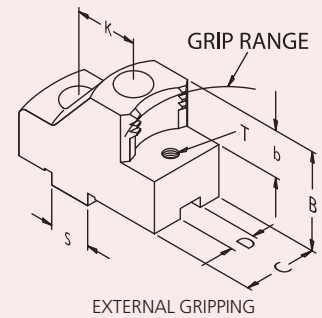
Field End, Thame Road, Long Crendon, Aylesbury, Bucks, HP18 9EJ England
 Telephone: + 44 (0)1844 208050 Fax: + 44 (0)1844 201699
 E-mail: sales@thameworkholding.com Web: www.thameworkholding.com

Adjustagrip Hard Top Jaws

For Slot/Tenon Quick Jaw Change Chucks

Material:

- Steel, 590M17
- Black Finish



To suit • SMW-Autoblok Chuck Series KNCS-N

CHUCK Ø	TYPE	GRIPPING RANGES	BASE JAW POS.	MAX Ø SWING	THAME PART No.	B	C	D	K	S	b	T	WEIGHT Kg/Set	
170	KNCS-N 170-43	29 - 60	1	191	LY 10	49	30	8	32	18	20	M6	1.3	
		45 - 77	2	209										
		60 - 92	1	191	LY 13									
		77 - 109	2	209										
		90 - 123	1	191	LY 14									
		108 - 141	2	209										
210	KNCS-N 210-52	27 - 91	1	266	LY 20	49	30	10	40	20	20	M6	1.3	
		58 - 128	2	303										
		89 - 160	2	266	LY 22									
225	KNCS-N 225-65	125 - 197	2	303	LY 24	49	30	10	40	20	20	M6	1.2	
		27 - 92	1	267	LY 20									
		59 - 130	2	305										
		91 - 162	2	305	LY 22									
260	KNCS-N 260-72	127 - 198	2	305	LY 25	59	40	12	40	20	25	M6	1.2	
		33 - 105	1	313	LY 30									
		86 - 168	2	377										
		61 - 143	1	313	LY 32									
		123 - 206	2	377										
315	KNCS-N 315-91	112 - 195	1	313	LY 35	59	40	12	40	20	25	M6	2.0	
		176 - 259	2	377										
		46 - 126	1	356	LY 30									
		130 - 213	2	444										
400	KNCS-N 400-128	81 - 163	1	356	LY 32	59	50	12	54	26	25	M8	2.3	
		167 - 251	2	444										
		221 - 304	2	444	LY 35									
		67 - 191	1	446	LY 40									
500	KNCS-N 500-155	143 - 269	2	525		78	50	18	60	30	33	M8	4.0	
		191 - 318	1	446	LY 43									
		269 - 397	2	525										
		74 - 235	1	543	LY 50									
		180 - 357	2	545										
500	KNCS-N 500-155	177 - 354	1	543	LY 55	78	50	18	60	30	33	M8	5.1	
		298 - 475	2	585										

Slot/Tenon Hard Top Jaws

Internal and bar gripping jaws available on request.

THAME WORKHOLDING

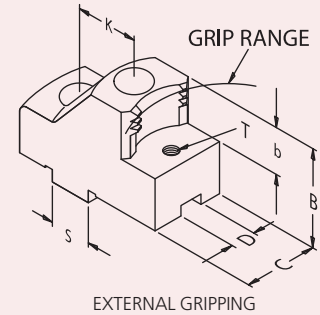
Field End, Thame Road, Long Crendon, Aylesbury, Bucks, HP18 9EJ England
 Telephone: + 44 (0)1844 208050 Fax: + 44 (0)1844 201699
 E-mail: sales@thameworkholding.com Web: www.thameworkholding.com

Adjustagrip Hard Top Jaws

For Slot/Tenon Quick Jaw Change Chucks

Material:

- Steel, 590M17
- Black Finish

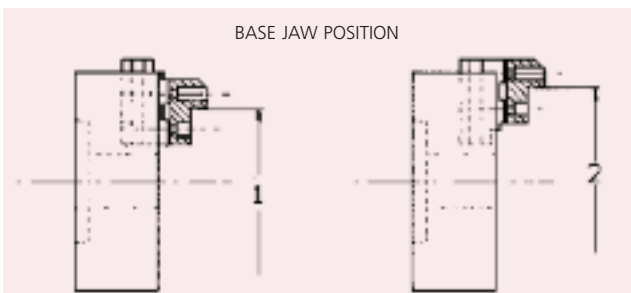


To suit • SMW-Autoblok Chuck Series KNCS

CHUCK Ø	TYPE	GRIPPING RANGES	BASE JAW POS.	MAX Ø SWING	THAME PART No.	B	C	D	K	S	b	T	WEIGHT Kg/Set
160	KNCS 160-32	27 - 46	1	177	LY 10	49	30	8	32	18	20	M6	1.3
		34 - 63	2	195									1.2
		57 - 78	1	177	LY 13								1.1
		65 - 96	2	195									1.4
		78 - 109	1	177	LY 14								
		96 - 127	2	195									
170	KNCS 170-40	27 - 54	1	186	LY 10	49	30	8	32	18	20	M6	1.3
		40 - 72	2	204									1.2
		54 - 87	1	186	LY 13								1.1
		72 - 104	2	204									1.4
		85 - 118	1	186	LY 14								
		102 - 135	2	204									
200	KNCS 200-41	27 - 61	1	235	LY 20	49	30	10	40	20	20	M6	1.3
		56 - 98	2	273									1.2
		51 - 93	1	235	LY 22								1.1
		88 - 130	2	273									
		86 - 129	1	235	LY 25								
250	KNCS 250-52	124 - 167	2	273		59	40	12	40	20	25	M6	2.4
		33 - 84	1	291	LY 30								2.3
		86 - 147	2	355									2.0
		61 - 121	1	291	LY 32								
		123 - 184	2	355									
		113 - 174	1	291	LY 35								
176 - 237	2	355											

Slot/Tenon Hard Top Jaws

BASE JAW POSITION



Workpiece Height Pins

See page 165



Internal and bar gripping jaws available on request.

THAME WORKHOLDING

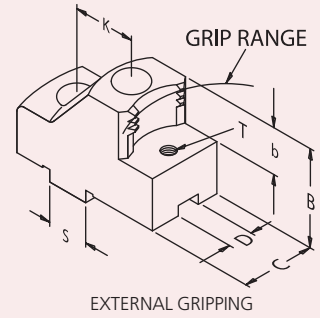
Field End, Thame Road, Long Crendon, Aylesbury, Bucks, HP18 9EJ England
 Telephone: + 44 (0)1844 208050 Fax: + 44 (0)1844 201699
 E-mail: sales@thameworkholding.com Web: www.thameworkholding.com

Adjustagrip Hard Top Jaws

For Slot/Tenon Quick Jaw Change Chucks

Material:

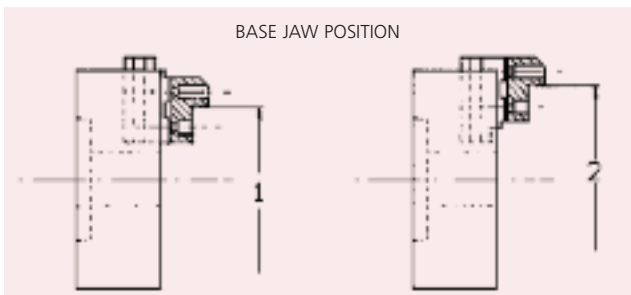
- Steel, 590M17
- Black Finish



To suit • SMW-Autoblok Chuck Series KNCS continued

CHUCK Ø	TYPE	GRIPPING RANGES	BASE JAW POS.	MAX Ø SWING	THAME PART No.	B	C	D	K	S	b	T	WEIGHT Kg/Set	
260	KNCS 260-65	33 - 95	1	302	LY 30	59	40	12	40	20	25	M6	2.4	
		86 - 158	2	366										
		61 - 132	1	302	LY 32									
		123 - 195	2	366										
		113 - 185	1	302	LY 35									
		176 - 248	2	366										
315	KNCS 315-77	36 - 115	1	344	LY 30	59	40	12	40	20	25	M6	2.4	
		119 - 202	2	432										
		70 - 152	1	344	LY 32									
		156 - 239	2	432										
		122 - 205	1	344	LY 35									
		209 - 293	2	432										
315	KNCS 315-91	46 - 126	1	356	LY 30	59	40	12	40	20	25	M6	2.4	
		130 - 213	2	444										
		82 - 164	1	356	LY 32									
		168 - 251	2	444										
		134 - 217	1	356	LY 35									
		221 - 304	2	444										
400	KNCS 400-92	51 - 165	1	419	LY 40	59	50	12	54	26	25	M8	4.0	
		116 - 242	2	497										
		165 - 292	1	419	LY 43									
		242 - 369	2	497										
500	KNCS 500-128	74 - 208	1	515	LY 50	78	50	18	60	30	33	M8	5.6	
		178 - 327	2	515										
		177 - 326	1	515	LY 55									
		296 - 445	2	555										

Slot/Tenon Hard Top Jaws



THAME WORKHOLDING

Field End, Thame Road, Long Crendon, Aylesbury, Bucks, HP18 9EJ England
 Telephone: + 44 (0)1844 208050 Fax: + 44 (0)1844 201699
 E-mail: sales@thameworkholding.com Web: www.thameworkholding.com

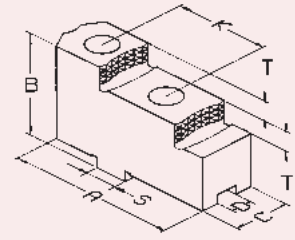
Slot/Tenon Hard Top Jaws

Hard Reversible Jaws For Quick Change Chucks

Material:

- Steel, 590M17
- Black Finish

Chuck Ø 152mm - 800mm



THAME PART No.	A	B	C	D	K	S	T	BOLT TYPE	WEIGHT Kg/Set
GX 16	63	36.5	20	8	32	18	7.5	M8	0.6
GX 20	72	42.0	22	10	40	20	10	M8	0.8
GX 25	90	55	30	12	40	20	14	M12	1.9
GX 32	105	62	36	12	54	26	15	M12	3.2
GX40	130	80	45	18	60	30	20	M16	10.8

Slot/Tenon Hard Top Jaws

THAME WORKHOLDING

Field End, Thame Road, Long Crendon, Aylesbury, Bucks, HP18 9EJ England
 Telephone: + 44 (0)1844 208050 Fax: + 44 (0)1844 201699
 E-mail: sales@thameworkholding.com Web: www.thameworkholding.com

BERG	FORKARDT	GAMET	KITAGAWA	RÖHM	SAMCHULLY	SCHUNK	SMW-AUTOBLOK
KHNC 160 KHNC 185	F160 KTNC 160 KTNCV 175 KTNCV 160 FNC 175 F+160	MX 152 MX 175	QJ306	DURO 160 DURO NC 160 DURO NCE 160 DURO NC 175 DURO NCE 175 DURO NCES 175	QJC-206	ROTA-G 160 ROTA-S 160 ROTA-S plus 160 ROTA NC-W 185 THW 165R ROTA THW 165 ROTA NCR 200 ROTA THW plus 165 ROTA THW plus 185	RMG 160 HG 160 HG-F 160 HG-N 160 KNSP 160 KNCS 160 KNCS 175 KNC 160 KNCS 170-43 KNCS -N 170-43
KHNC 200	F 200 KTNC 200 KTNCV 200 FNC 200 F+200	MX215	QJ308	DURO 200 DURO NC 200 DURO NCE 200 DURO NC 225 DURO NCES 200	QJC-208	ROTA-G 200 ROTA-S 200 ROTA-S plus 200 ROTA NC-WF210 ROTA NC-W 225 THW 210 F THW210R ROTA THW plus 215 ROTA THWB 210 ROTA THW vario 215	RMG 200 HG-F210 HG 200 HG-N210 KNSP 200 KNCS 200 KNCS 225 KNCS 210-52 KNCS-N 210-52 KNCS-N 225-65 KNCS-NB 210
KHNC 250 KHNC 315	F 250 KTNC 250 KTNC 280 KTNC 315 KTNCV 250 KTNCV 315 UNC 250/315 FNC 250/315 F+250	MX 252 MX315 MX 330	QJ310 QJ312	DURO 250 DURO NC 250 DURO NCE 250 DURO NCES 315 DURO NCES 250 DURO NCES 315	QJC-210 QJC-212	ROTA-G 250 ROTA NC-WF 25C ROTA-S 250 ROTA-S plus 250 ROTA NC-W 265 ROTAG315 ROTA NC-W 315 ROTA NC-WF 315 THW 250F THW 250R THW 265F THW 265R THW 315R ROTA THW 250 -315 ROTA THW plus 260-315 ROTA THWB 265	RMG 250 KNCS 250 KNCS 260 KNCS 315 KNCS 260-71 KNCS 315-91 KNCS-N 260-72 KNCS-N 315-91 HG 250/315 HG-F 260/315 HG-N 260/315 KNCS-NB 260 KNCS-NB 315
KHNC 400	F 315 KTNC 360 KTNC 400 KTNCV 400 UNC 400 FNC 400 F+315	MX 380	QJ15	DURO 315 DURO NC 315 DURO NCE 400 DURO NCES 315 DURO NCES 400	QJC-215	ROTA-G 400 ROTA-S315 ROTA-S plus 315 ROTA NC-W 400 THW 315F THW 400F THW 400R ROTA THWB 315	RMG-315 KNCS 400 KNCS 400-120 KNCS-N 400-128 HG 400 KNC 400 HG-N400 HG-F 315 KNCS-NB 400
KHNC 500	F 400/500 L UNC 500 KTNC 500 KTNC 630 KTNCV 500 KTNCV 630 FNC 500/630 F+400		QJ21 QJ24	DURO 400 DURO NC 400 DURO 500 DURO NC 500 DURO NCE 500		ROTA-S 400 ROTA-S plus 400 ROTA-G 500 ROTA-S 500 ROTA-S plus 500 THW 500F THW 500R THW 630R ROTA THW 500-630-800 ROTA THWB 400-500	HG 500 HG 630 HG-F 400/500 HG-N 500/600 KNCS 500 KNCS 630 KNCS 500-160 KNCS 630-160 KNCS-N 500-165 KNCS-N 630-165 KNCS 800-160 KNCS-NB 500-630-800

THAME WORKHOLDING

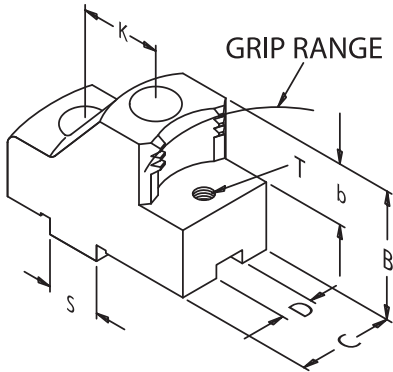
Field End, Thame Road, Long Crendon, Aylesbury, Bucks, HP18 9EJ England
 Telephone: + 44 (0)1844 208050 Fax: + 44 (0)1844 201699
 E-mail: sales@thameworkholding.com Web: www.thameworkholding.com

For special size Adjustagrip Jaws and for Chuck types not listed

If the standard listed type is not suitable please fill in the drawing details below and return to us for a quotation.

Slot/Tenon Hard Top Jaws

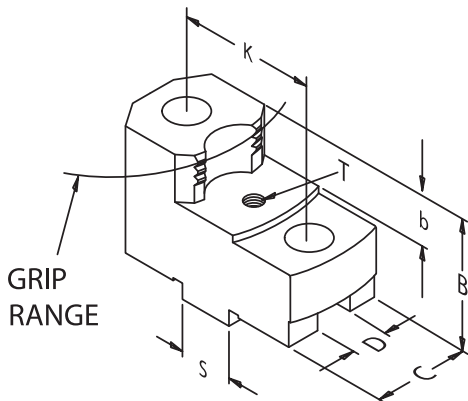
External Gripping



Chuck make and type:

B	
C	
D	
K	
S	
b	
GRIP RANGE	

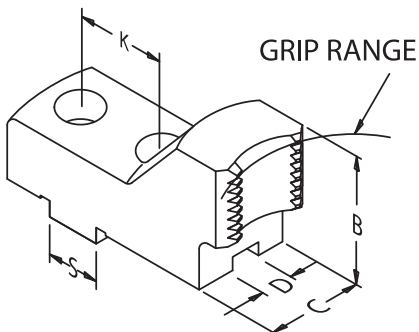
Internal Gripping



Chuck make and type:

B	
C	
D	
K	
S	
b	
GRIP RANGE	

Bar Gripping



Chuck make and type:

B	
C	
D	
K	
S	
GRIP RANGE	

Notes